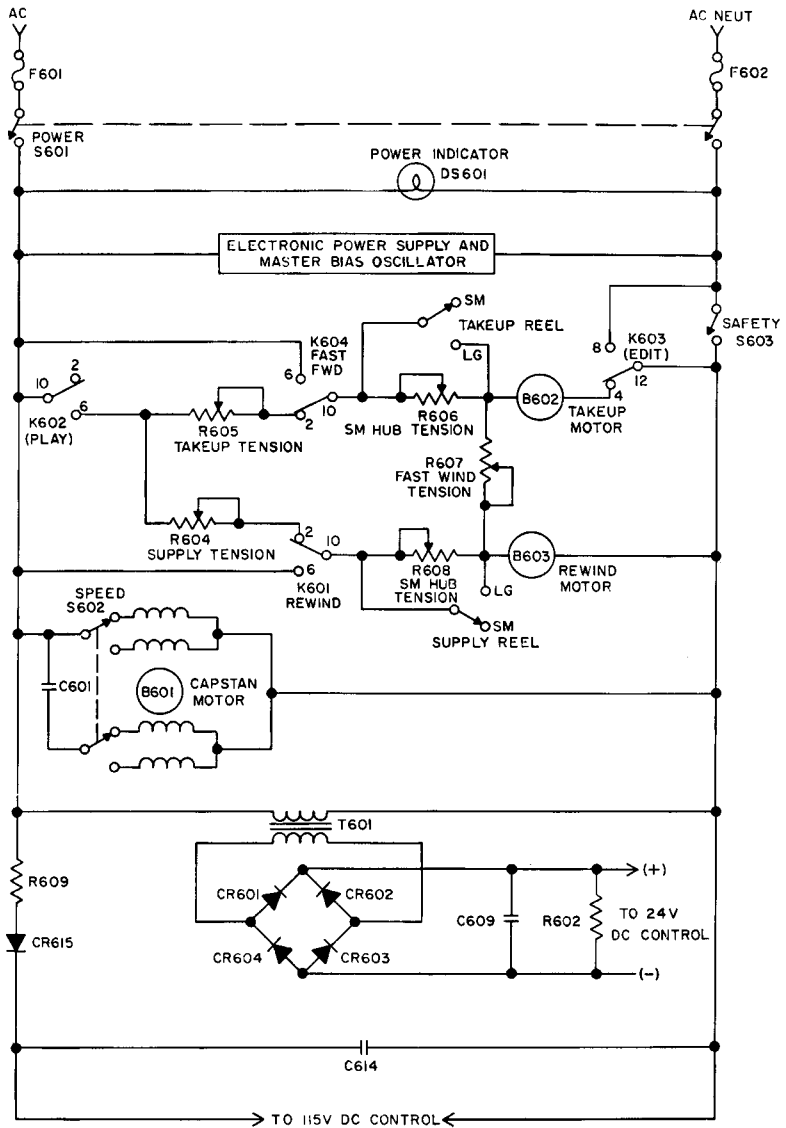


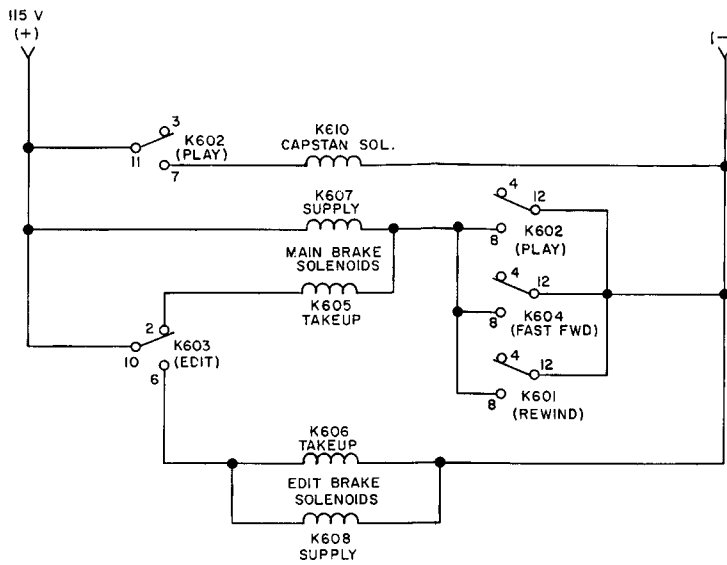
LAST REF	DES	USED	NOT USED
R615			
C614			
Q602			
F602			
CR615			
T601			
DS601			
J607S			
P607P			
K610			
S611			
B603			
P601P			

NOTES: UNLESS OTHERWISE SPECIFIED
 1. ALL RESISTOR VALUES ARE IN OHMS, 1/2 W, 10%.
 2. ALL CAPACITOR VALUES ARE IN MICROFARADS.

Ampex AG-440 Fig. 6-20. Tape Transport Schematic



AC CONTROL



115 VDC CONTROL

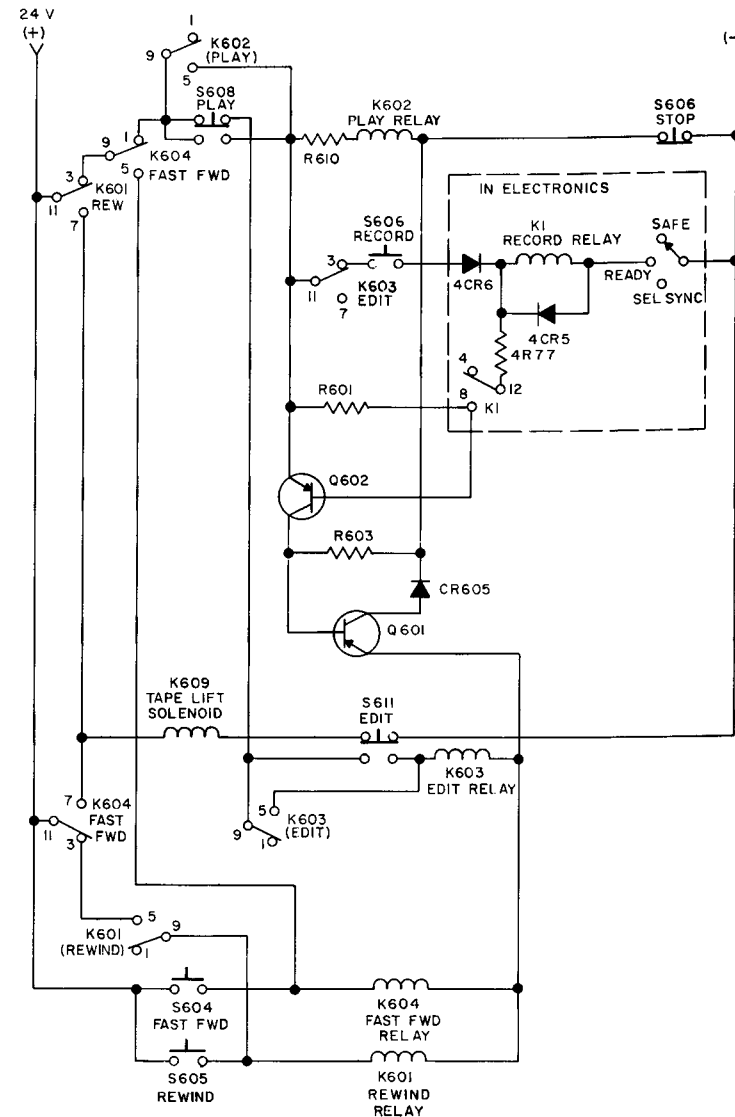
RELAYS

- K601 REWIND
- K602 PLAY
- K603 EDIT
- K604 FAST FWD
- K1 RECORD (ELECTRONICS)

SOLENOIDS

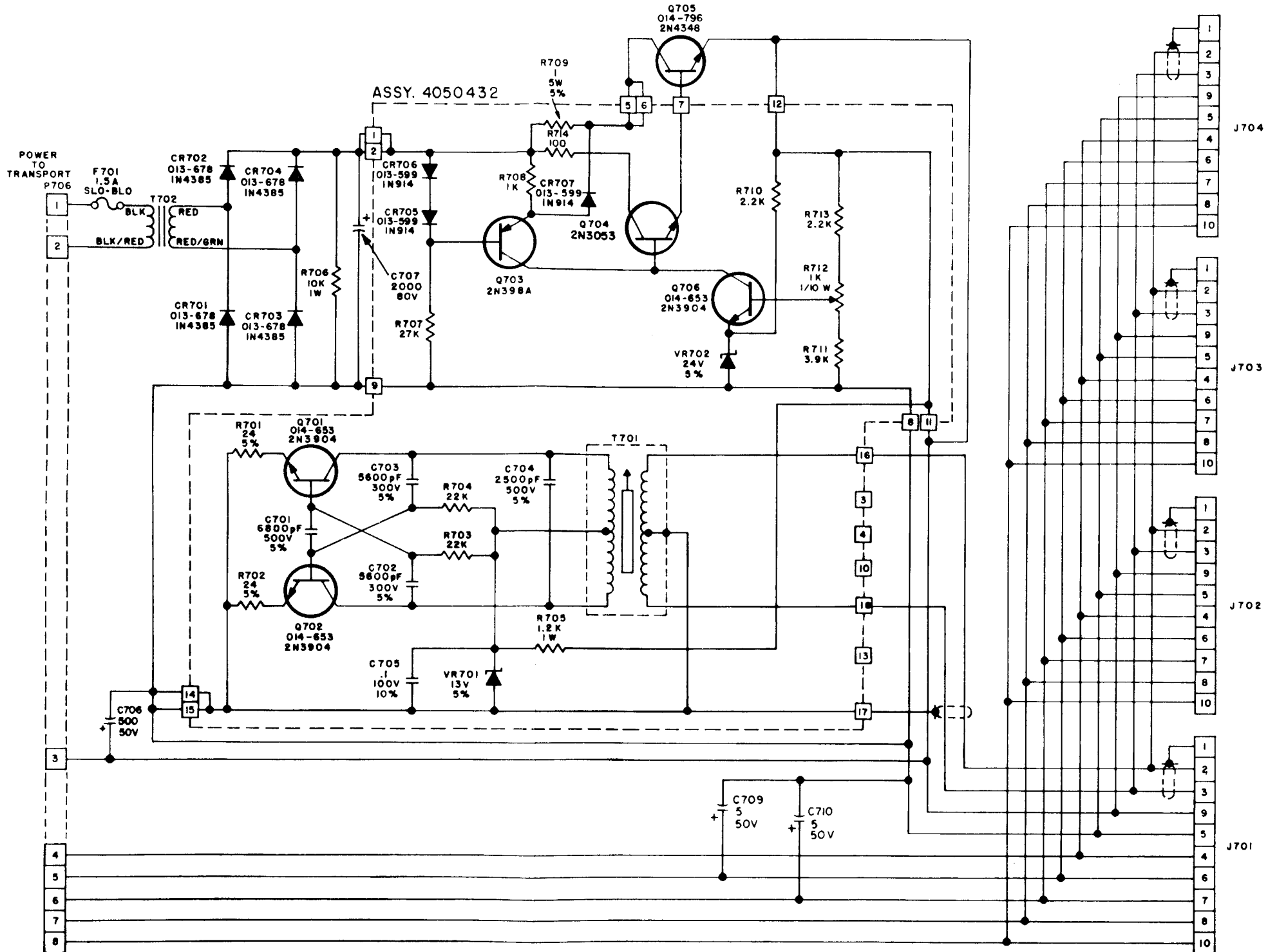
- K605 MAIN BRAKE, TAKEUP
- K606 EDIT BRAKE, TAKEUP
- K607 MAIN BRAKE, SUPPLY
- K608 EDIT BRAKE, SUPPLY
- K609 TAPE LIFTER
- K610 CAPSTAN

Ampex AG-440



24 VDC CONTROL

Fig. 6-21. Tape Transport Schematic, Simplified



NOTES:

UNLESS OTHERWISE SPECIFIED

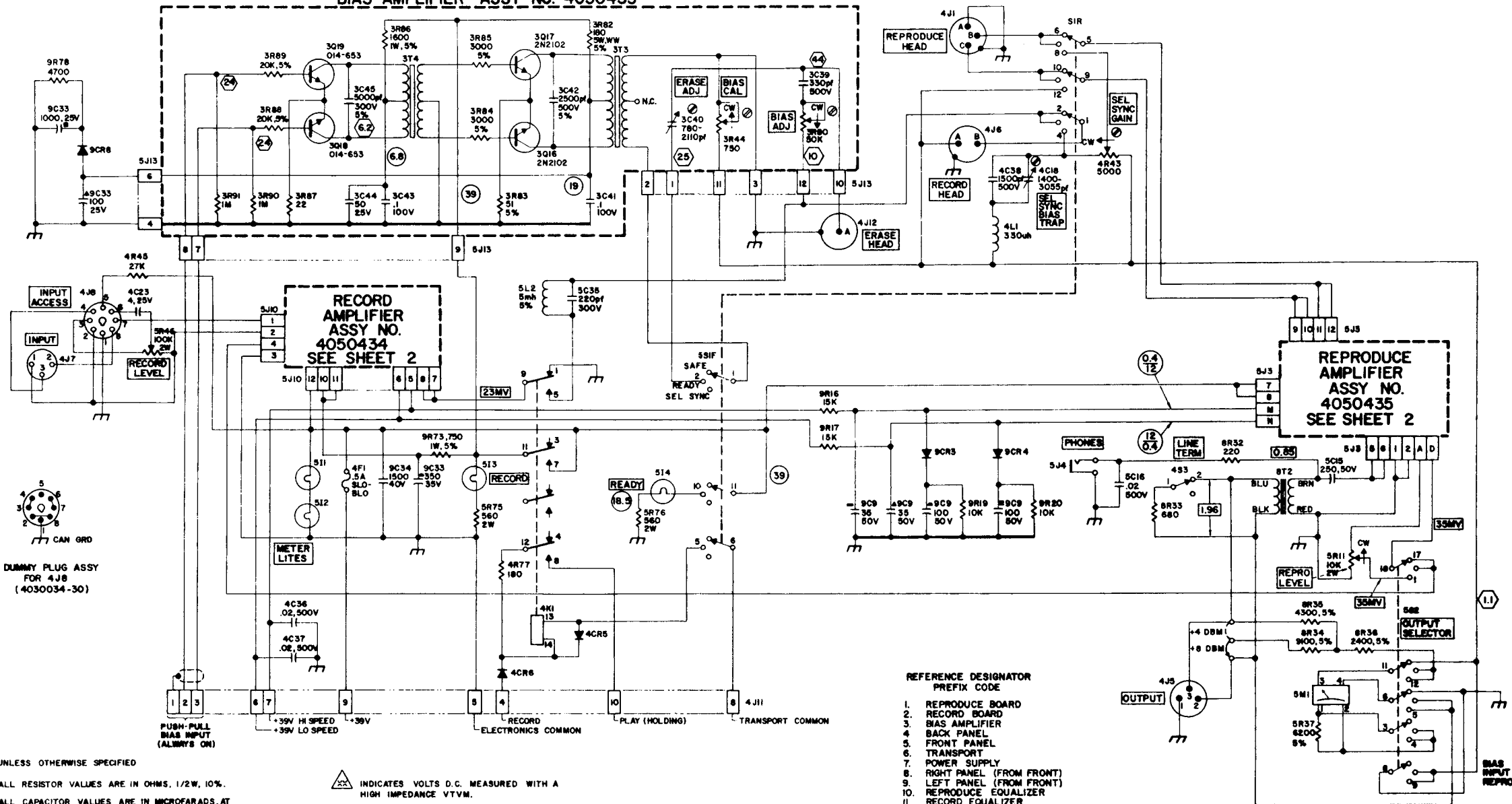
1. ALL CAPACITOR VALUES ARE IN MICROFARADS, RATINGS AS INDICATED.
2. ALL RESISTORS VALUES ARE IN OHMS, 1/2 WATT, 10%.

LAST REF. DES. USED	REF. DES. NOT USED
C710	C708
CR707	
Q706	
VR702	
T702	
R714	

Ampex AG-440

Fig. 6-22. Power Supply Schematic, Record/Reproduce

BIAS AMPLIFIER- ASSY NO. 4050433



DUMMY PLUG ASSY FOR 4J8 (4030034-30)

NOTES: UNLESS OTHERWISE SPECIFIED

1. ALL RESISTOR VALUES ARE IN OHMS, 1/2W, 10%.
2. ALL CAPACITOR VALUES ARE IN MICROFARADS, AT INDICATED VOLTAGE.
3. ALL DIODES ARE TYPE '013-599.

- ⊗ (with X) INDICATES VOLTS D.C. MEASURED WITH A HIGH IMPEDANCE VTVM.
- ⊗ (with R) INDICATES VOLTS R.M.S. MEASURED WITH A HIGH IMPEDANCE VTVM AT OPERATING LEVEL OF 1000HZ.
- ⊗ (with F) INDICATES VOLTS R.M.S. MEASURED WITH A HIGH IMPEDANCE VTVM AT BIAS FREQUENCY.

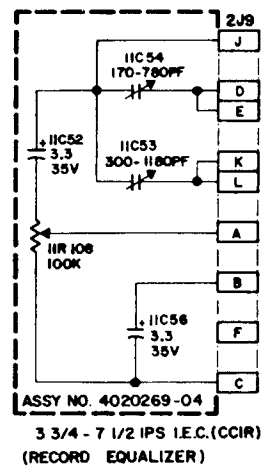
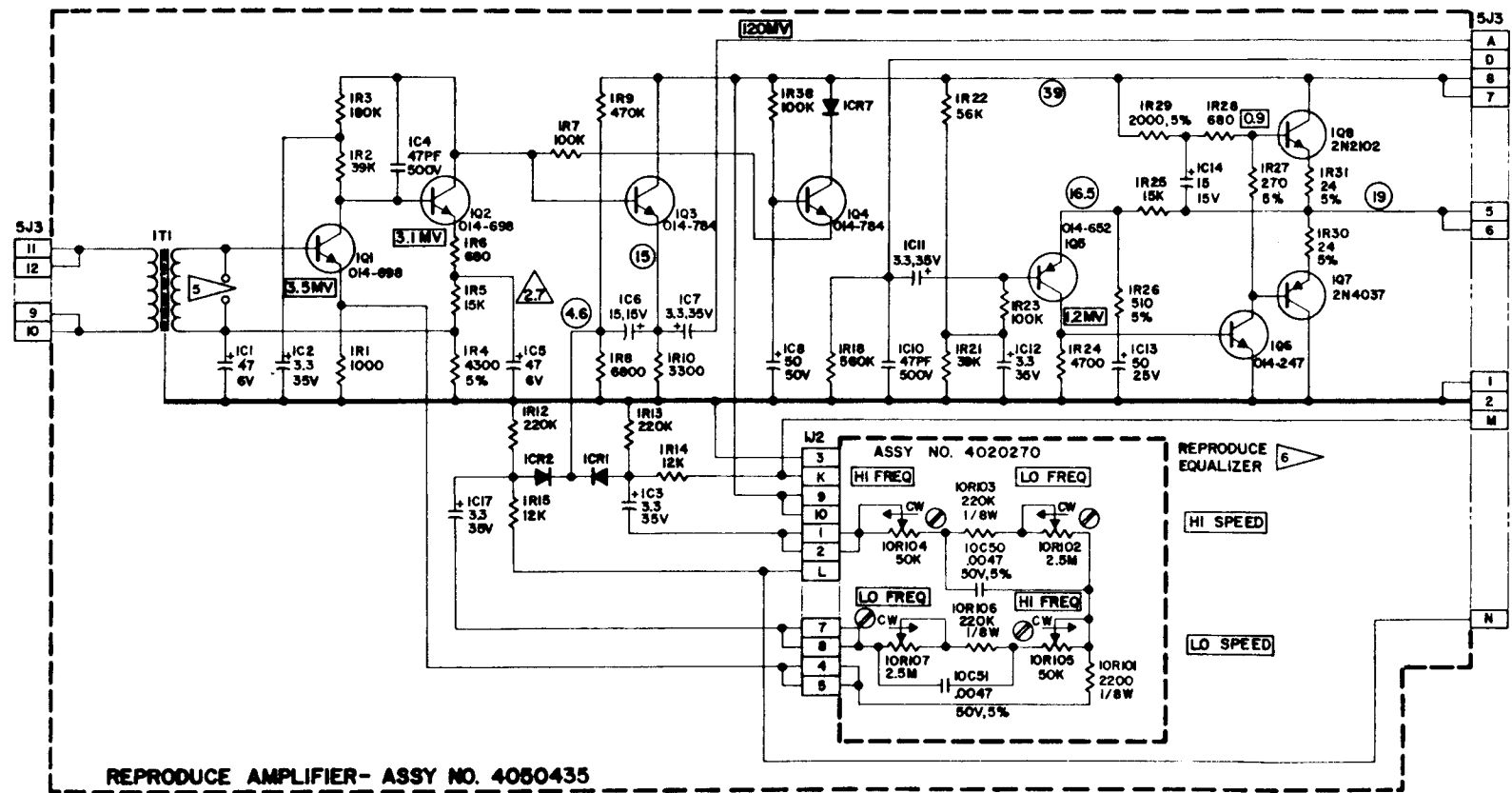
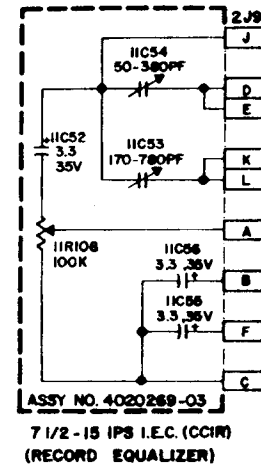
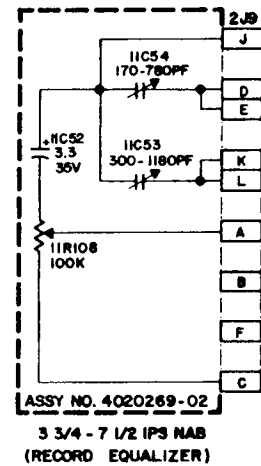
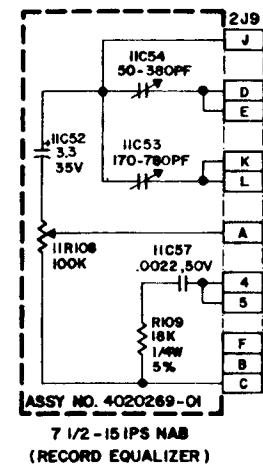
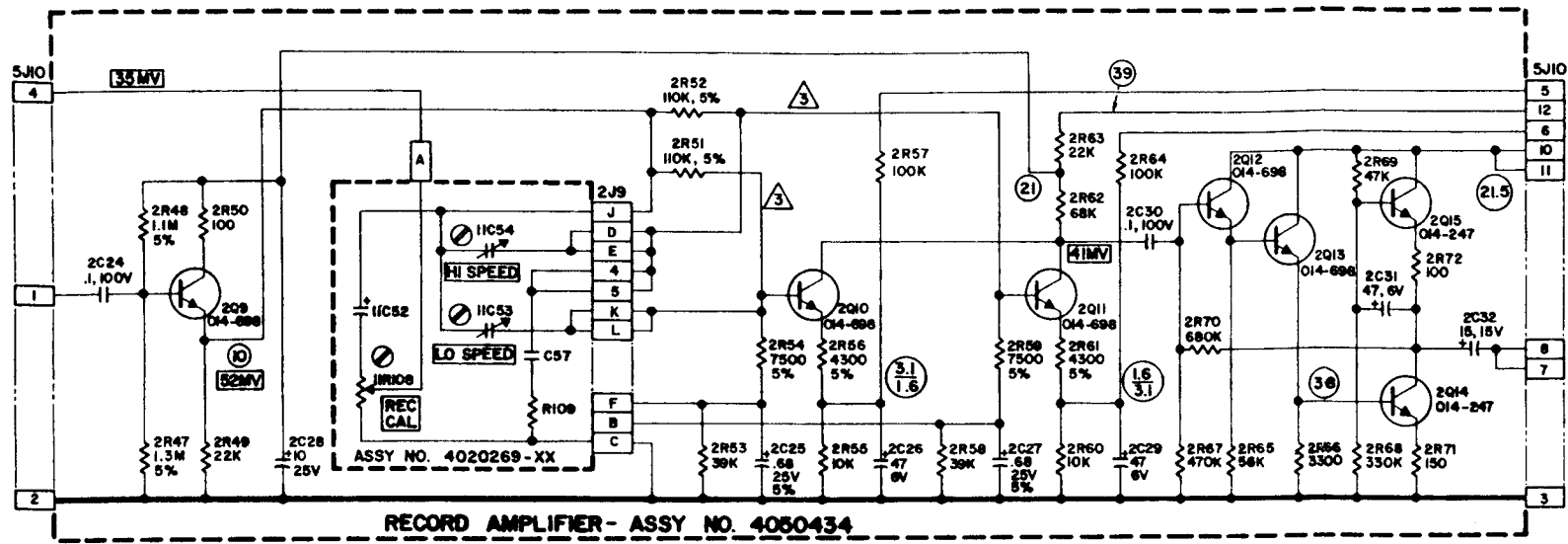
⊗ (with X) INDICATES VOLTS D.C. MEASURED WITH A 20,000 Ω/V METER.

- REFERENCE DESIGNATOR PREFIX CODE
1. REPRODUCE BOARD
 2. RECORD BOARD
 3. BIAS AMPLIFIER
 4. BACK PANEL
 5. FRONT PANEL
 6. TRANSPORT
 7. POWER SUPPLY
 8. RIGHT PANEL (FROM FRONT)
 9. LEFT PANEL (FROM FRONT)
 10. REPRODUCE EQUALIZER
 11. RECORD EQUALIZER

LAST REF DES USED			REF DES NOT USED		
C57	K1	S3	R39-42	C19-22	
CR8	L2	T4	R81	C38	
F1	M1		R74	C46-49	
L4	Q19		R92-100	J2	
J13	RI09			R79	

Ampex AG-440

Fig. 6-24A. Electronics Schematic, Record/Reproduce



Ampex AG-440
Fig. 6-24B. Electronics Schematic, Record/Reproduce