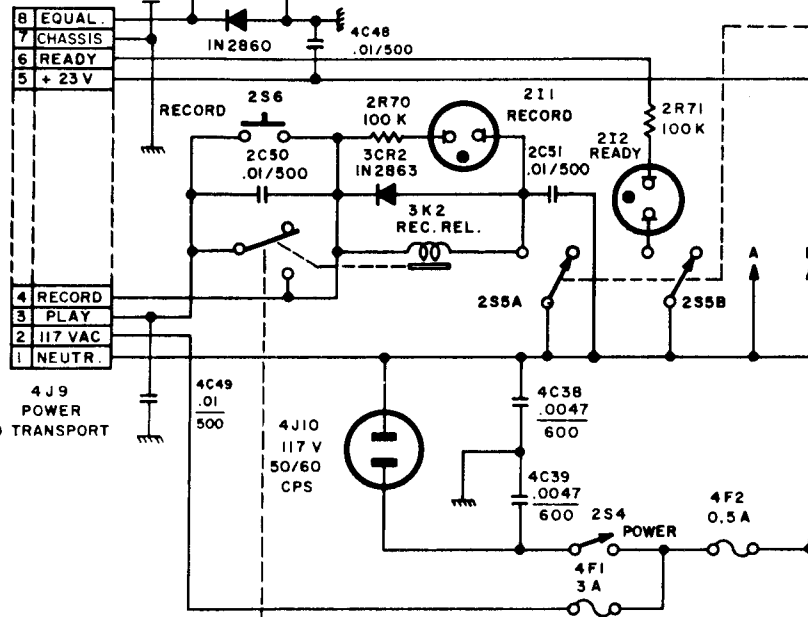
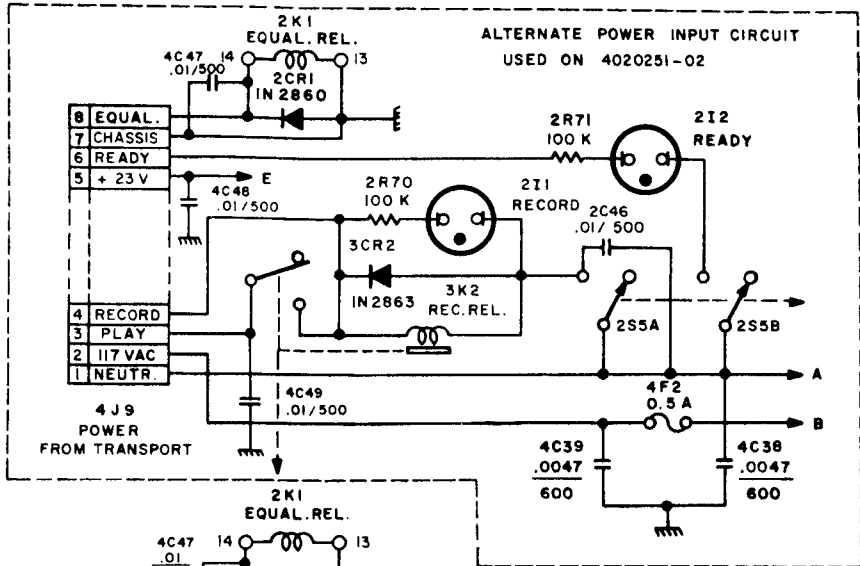
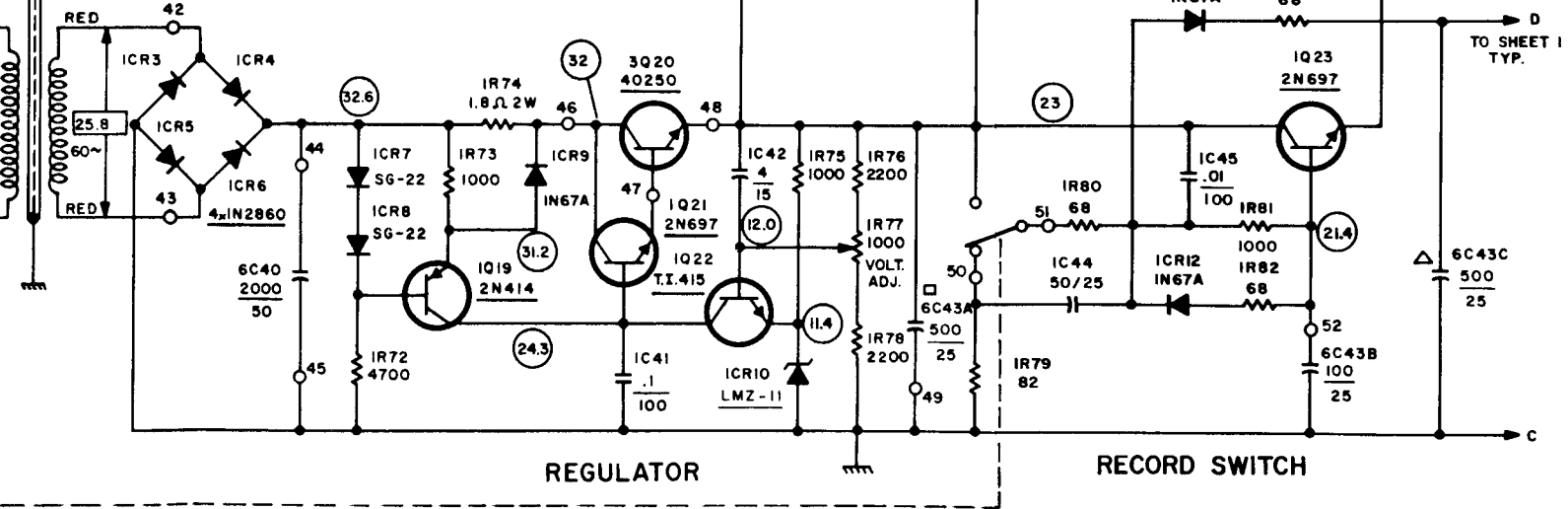
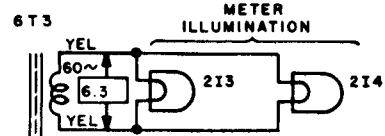
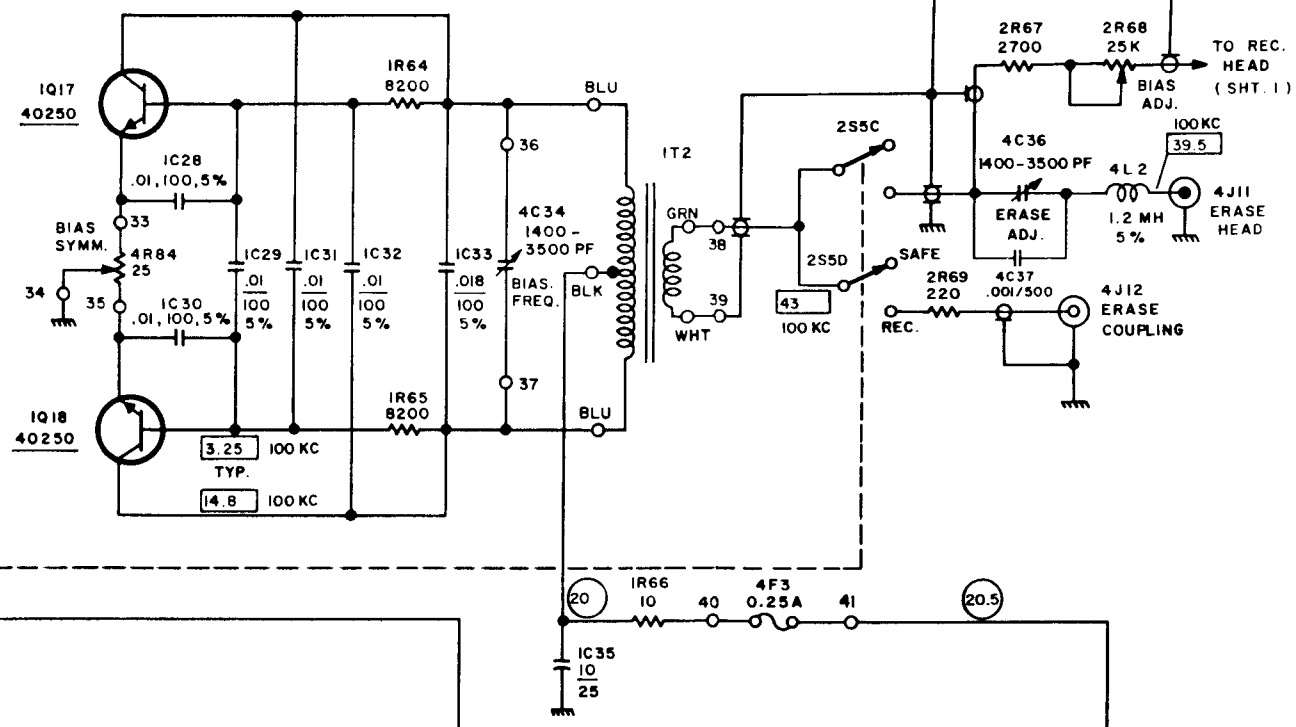


Ampex AG-300

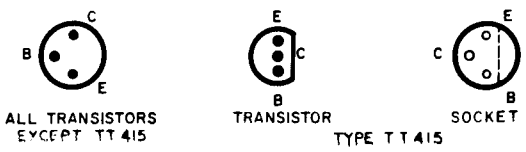
Fig. 7-3 Schematic Diagram, Record/Reproduce Electronics, Sheet 1 of 3



BIAS OSC.



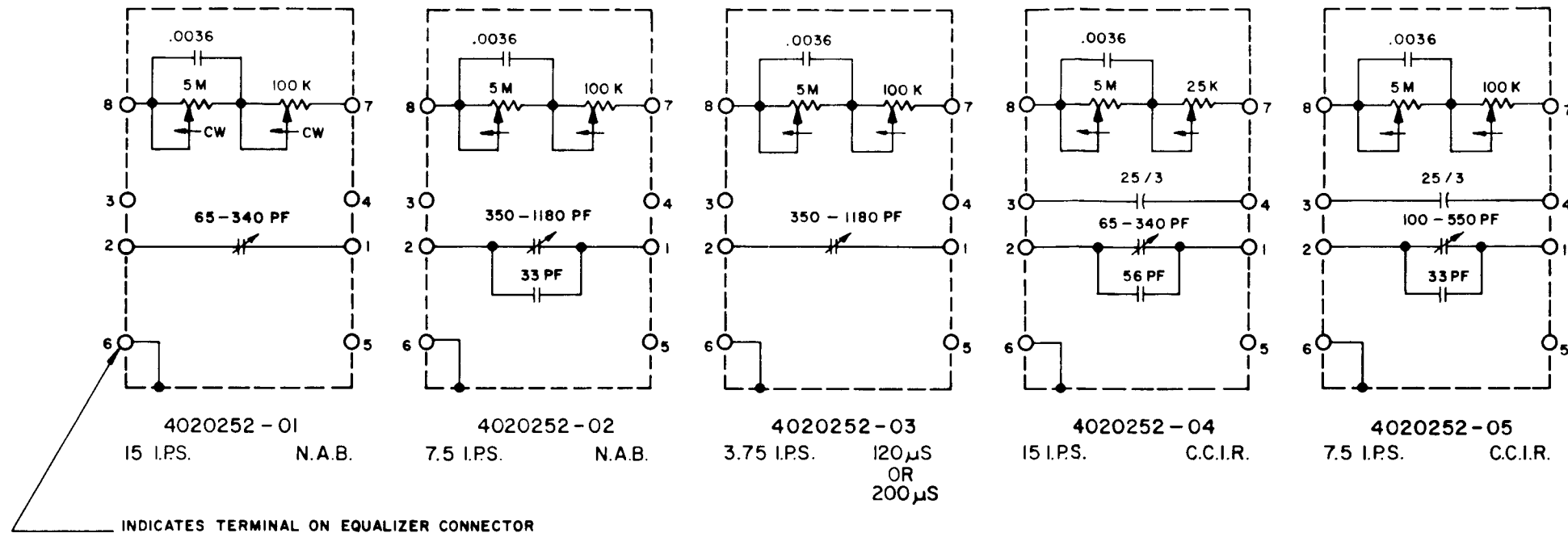
TRANSISTOR LEAD AND SOCKET DIAGRAMS (BOTTOM VIEW)



FOR NOTES SEE SHEET 3

Ampex AG-300

Fig. 7-4 Schematic Diagram, Record/Reproduce Electronics, Sheet 2 of 3



NOTES -

1. ALL RESISTORS IN OHMS, 1/2 W, 10%, UNLESS OTHERWISE SPECIFIED.
2. ALL CAPACITORS IN MFD, UNLESS OTHERWISE SPECIFIED.
3. COMPONENT LOCATION IS INDICATED BY FIRST DIGIT OF SCHEMATIC REFERENCE NUMBER :
 - 1 - PRINTED CIRCUIT BOARD
 - 2 - FRONT PANEL
 - 3 - LEFT PANEL (WHEN FACING FRONT)
 - 4 - BACK PANEL
 - 5 - RIGHT PANEL
 - 6 - POWER SUPPLY
4. INDICATES TERMINAL ON P.C. BOARD.
5. INDICATES D.C. VOLTAGE TO GROUND, MEASURED WITH A 20,000 Ω /V METER
6. INDICATES SIGNAL VOLTAGE TO GROUND OR OTHER LINE AS INDICATED AT 500 CPS WITH 7.5 I.P.S. N.A.B. EQUALIZER IN USE. 60 CPS VOLTAGES MEASURED WITH A 5000 Ω /V METER.

Ampex AG-300

Fig. 7-5 Schematic Diagram, Record/Reproduce Electronics, Sheet 3 of 3